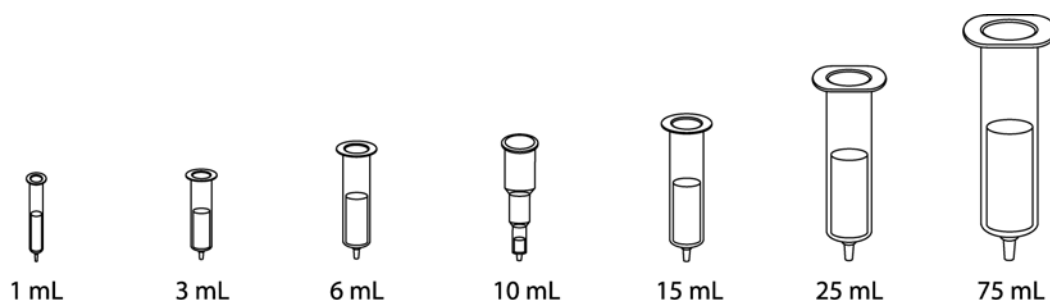


CLEAN-UP[®] Solid Phase Extraction Columns

Hydrophilic Extraction Column Guide



Chemistries are offered on these particle sizes.

Small Particle (5-20 μm)

Intermediate Particle (25-40 μm)

Standard Particle (40-60 μm)

Large Particle (125-210 μm)

Carbon - Graphitized non-porous, 120/400 mesh

Part Number	Amount sorbent / Tube volume	Units per bag
CUCARBL1	50mg / 1mL	100
CUCARB11	100mg / 1mL	100
CUCARB1L3	150mg / 3mL	50
CUCARB23	200mg / 3mL	50
CUCARB2L3	250mg / 3mL	50
CUCARB53	500mg / 3mL	50
CUCARB2L6	250mg / 6mL	30
CUCARB56	500mg / 6mL	30
CUCARB1Z	100mg / 10mL	50
CUCARB2Z	200mg / 10mL	50
CUCARB5Z	500mg / 10mL	50
CUCARBM6	1g / 6mL	30
CUCARBM15	1g / 15mL	20
CUCARB2M15	2g / 15mL	20
CUCARB5M25	5g / 25mL	20
CUCARB10M75	10g / 75mL	10

CLEAN-UP[®] Carbon

Carbon supports have been used to isolate extremely polar organic compounds. They work by a hydrophobic mechanism with a high surface area and ion exchange. This interaction can happen in a wide range of polar and non-polar solvents.