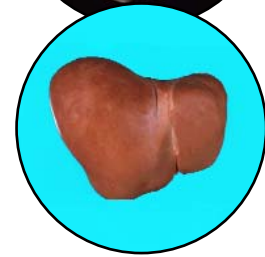


XtrackT[®]

Solid Phase Extraction Columns

High-Flow Bonded Phase Columns



High-Flow Bonded Phases Offered:

CLEAN SCREEN[®]

- High-Flow DAU

CLEAN-UP[®]

- Quaternary Amine
- High-Flow Carboxylic Acid cation exchange
- High-Flow Aminoethyl Anion exchange - PSH
- High-Flow Endcapped C18 Hydrophobic
- High-Flow Propylsulfonic Acid cation exchange
- High-Flow Benzenesulfonic Acid

[Click Here For:](#)

Applications Manual

XtrackT[®]

High-Flow Bonded Phases

Viscous sample matrices are frequently resistant to flow through standard solid phase columns. Increased particle size enhances flow characteristics allowing ease of sample application and analysis. XtrackT[®] columns are designed to give uniform flow for even the most viscous samples including equine urine, post mortem blood and tissues, meconium, amniotic fluid, milk, etc.

XtrackT[®] also functions as a gravity flow column for most blood and urine samples. A single column provides extraction for a broad spectrum of compounds with selective elution of acid/neutrals, steroids and bases. XtrackT[®] yields very clean extractions and excellent recoveries without need for additional liquid clean up steps. XtrackT[®] is available in hydrophobic, hydrophilic, ion exchange, as well as copolymeric phases, including the CLEAN SCREEN[®] DAU sorbent. XtrackT[®] is recommended for any chemist challenged by viscous sample matrices, or those desiring gravity flow capacity.

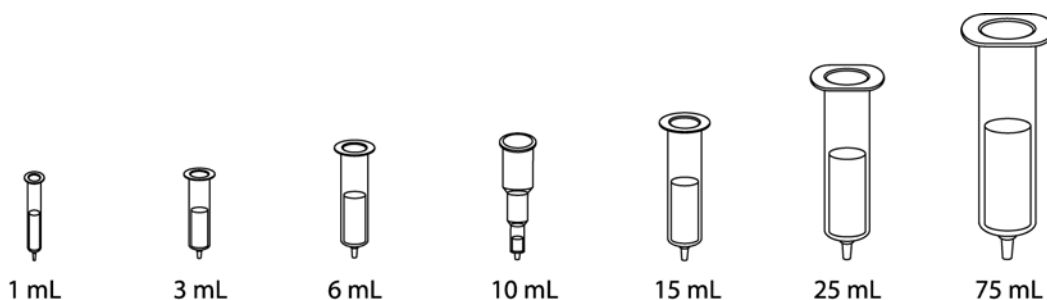
Upon request, we can also provide any of our CLEAN-UP[®] sorbents in this large particle size.

Advantages of XtrackT[®]:

- resists plugging
- improved flow of all sample types
- gravity flow of most samples
- broad spectrum extractions
- very clean extractions
- high recoveries
- reproducible

Xtrack[®] Solid Phase Extraction Columns

High-Flow Bonded Phases



Chemistries are offered on these particle size.

Large Particle
(125-210 μm)

High-Flow CLEAN SCREEN[®] DAU columns

Part Number without disposable tips	Part Number with disposable tips	Amount sorbent / Tube volume	Units per bag
XRDAH203	XCDAH203	200mg / 3mL	50
XRDAH303	XCDAH303	300mg / 3mL	50
XRDAH503	XCDAH503	500mg / 3mL	50
XRDAH206	XCDAH206	200g / 6mL	50
XRDAH506	XCDAH506	500g / 6mL	50
XRDAH013Z	XCDAH013Z	130mg / 10mL	50
XRDAH20Z	XCDAH20Z	200g / 10mL	50
XRDAH150Z	XCDAH150Z	500g / 10mL	50
XRDAH515	XCDAH515	500mg / 15mL	50
XRDAH1M06	XCDAH1M06	1g / 6mL	50
XRDAH1M15	XCDAH1M15	1g / 15mL	50
XRDAH15M25	XCDAH15M25	5g / 25mL	50
XRDAH110M75	XCDAH110M75	10g / 75mL	10

CLEAN SCREEN[®] DAU

column is copolymerized on rigid, purified silica gel support. The two functional groups include a reverse phase, and an ion exchanger, benzenesulfonic acid. This column is commonly used for analyzing a wide range of drugs of abuse, including acidic, basic & neutral drugs.

High-Flow CLEAN-UP[®] Carboxylic Acid cation exchange columns

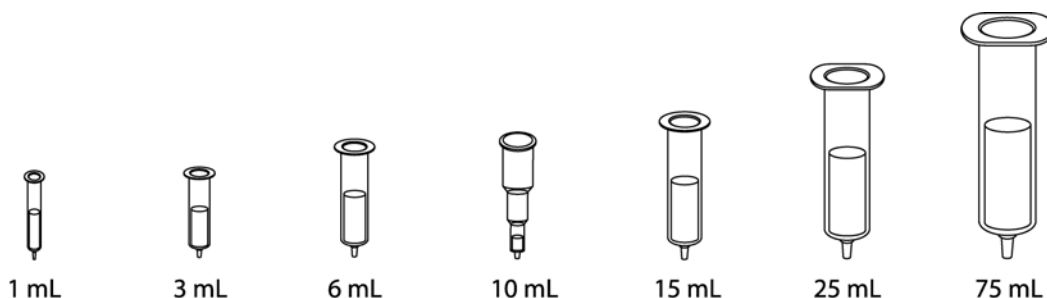
Part Number without disposable tips	Part Number with disposable tips	Amount sorbent / Tube volume	Units per bag
XRCCH203	XCCCH203	200mg / 3mL	50
XRCCH303	XCCCH303	300mg / 3mL	50
XRCCH503	XCCCH503	500mg / 3mL	50
XRCCH206	XCCCH206	200g / 6mL	50
XRCCH506	XCCCH506	500g / 6mL	50
XRCCH013Z	XCCCH013Z	130mg / 10mL	50
XRCCH20Z	XCCCH20Z	200g / 10mL	50
XRCCH150Z	XCCCH150Z	500g / 10mL	50
XRCCH515	XCCCH515	500mg / 15mL	50
XRCCH1M06	XCCCH1M06	1g / 6mL	50
XRCCH1M15	XCCCH1M15	1g / 15mL	50
XRCCH15M25	XCCCH15M25	5g / 25mL	50
XRCCH110M75	XCCCH110M75	10g / 75mL	10

% Organic Loading: 9.10

Application:

Scavenger for strong amines with quats.

XtrackT[®] Solid Phase Extraction Columns High-Flow Bonded Phases



Chemistries are offered on these particle size.

Large Particle
(125-210 μm)

High-Flow CLEAN-UP [®] Aminoethyl Anion exchange columns			
Part Number without disposable tips	Part Number with disposable tips	Amount sorbent / Tube volume	Units per bag
XRPSH203	XCPSH203	200mg / 3mL	50
XRPSH303	XCPSH303	300mg / 3mL	50
XRPSH503	XCPSH503	500mg / 3mL	50
XRPSH206	XCPSH206	200g / 6mL	50
XRPSH506	XCPSH506	500g / 6mL	50
XRPSH013Z	XCPSH013Z	130mg / 10mL	50
XRPSH20Z	XCPSH20Z	200g / 10mL	50
XRPSH150Z	XCPSH150Z	500g / 10mL	50
XRPSH515	XCPSH515	500mg / 15mL	50
XRPSH1M06	XCPSH1M06	1g / 6mL	50
XRPSH1M15	XCPSH1M15	1g / 15mL	50
XRPSH15M25	XCPSH15M25	5g / 25mL	50
XRPSH110M75	XCPSH110M75	10g / 75mL	10

% Organic Loading: 9.70

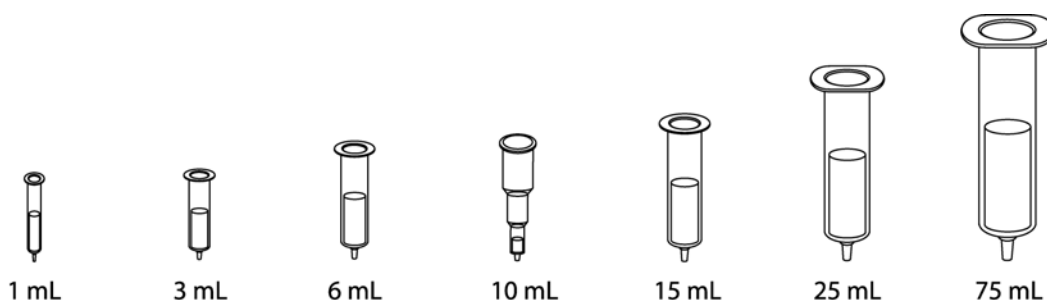
Application:
Scavenger for acids, cyclic compounds, cholesterol, and other liquid type and compounds.

High-Flow CLEAN-UP [®] Endcapped C18 Hydrophobic columns			
Part Number without disposable tips	Part Number with disposable tips	Amount sorbent / Tube volume	Units per bag
XRODH203	XCODH203	200mg / 3mL	50
XRODH303	XCODH303	300mg / 3mL	50
XRODH503	XCODH503	500mg / 3mL	50
XRODH206	XCODH206	200g / 6mL	50
XRODH506	XCODH506	500g / 6mL	50
XRODH013Z	XCODH013Z	130mg / 10mL	50
XRODH20Z	XCODH20Z	200g / 10mL	50
XRODH150Z	XCODH150Z	500g / 10mL	50
XRODH515	XCODH515	500mg / 15mL	50
XRODH1M06	XCODH1M06	1g / 6mL	50
XRODH1M15	XCODH1M15	1g / 15mL	50
XRODH15M25	XCODH15M25	5g / 25mL	50
XRODH110M75	XCODH110M75	10g / 75mL	10

% Organic Loading: 21.70

Application:
Removes hydrophobic impurities, de-salting and purification of hydrophobic compounds.

XtrackT[®] Solid Phase Extraction Columns High-Flow Bonded Phases



Chemistries are offered on these particle size.

Large Particle
(125-210 μm)

High Flow BCX - Benzenesulfonic Acid

Part Number without disposable tips	Part Number with disposable tips	Amount sorbent / Tube volume	Units per bag
XRBCX203	XCBCX203	200mg / 3mL	50
XRBCX303	XCBCX303	300mg / 3mL	50
XRBCX503	XCBCX503	500mg / 3mL	50
XRBCX206	XCBCX206	200g / 6mL	50
XRBCX506	XCBCX506	500g / 6mL	50
XRBCX013	XCBCX013	130mg / 10mL	50
XRBCX20Z	XCBCX20Z	200g / 10mL	50
XRBCX150Z	XCBCX150Z	500g / 10mL	50
XRBCX515	XCBCX515	500mg / 15mL	50
XRBCX1M06	XCBCX1M06	1g / 6mL	50
XRBCX1M15	XCBCX1M15	1g / 15mL	50
XRBCX15M25	XCBCX15M25	5g / 25mL	50
XRBCX110M75	XCBCX110M75	10g / 75mL	10

% Organic Loading: 11.00

Application:
Scavenger for amines, alcohols and other nucleophiles.

High Flow QAX - Quaternary Amine

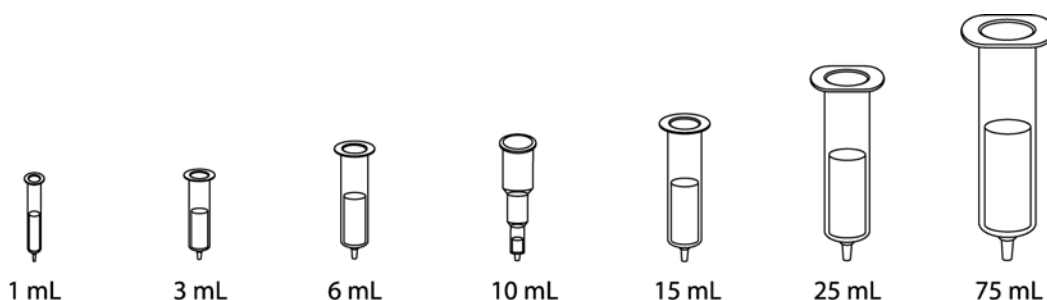
Part Number without disposable tips	Part Number with disposable tips	Amount sorbent / Tube volume	Units per bag
XRQAX203	XCQAX203	200mg / 3mL	50
XRQAX303	XCQAX303	300mg / 3mL	50
XRQAX503	XCQAX503	500mg / 3mL	50
XRQAX206	XCQAX206	200g / 6mL	50
XRQAX506	XCQAX506	500g / 6mL	50
XRQAX013Z	XCQAX013Z	130mg / 10mL	50
XRQAX20Z	XCQAX20Z	200g / 10mL	50
XRQAX150Z	XCQAX150Z	500g / 10mL	50
XRQAX515	XCQAX515	500mg / 15mL	50
XRQAX1M06	XCQAX1M06	1g / 6mL	50
XRQAX1M15	XCQAX1M15	1g / 15mL	50
XRQAX15M25	XCQAX15M25	5g / 25mL	50
XRQAX110M75	XCQAX110M75	10g / 75mL	10

% Organic Loading: 6.60

Application:
Removes large or more hydrophobic compounds.

XtrackT[®] Solid Phase Extraction Columns

High-Flow Bonded Phases



Chemistries are offered on these particle size.

Large Particle
(125-210 μm)

High-Flow CLEAN UP [®] Propylsulfonic Acid cation exchange columns			
Part Number without disposable tips	Part Number with disposable tips	Amount sorbent / Tube volume	Units per bag
XRPCH203	XCPCH203	200mg / 3mL	50
XRPCH303	XCPCH303	300mg / 3mL	50
XRPCH503	XCPCH503	500mg / 3mL	50
XRPCH206	XCPCH206	200g / 6mL	50
XRPCH506	XCPCH506	500g / 6mL	50
XRPCH013Z	XCPCH013Z	130mg / 10mL	50
XRPCH20Z	XCPCH20Z	200g / 10mL	50
XRPCH150Z	XCPCH150Z	500g / 10mL	50
XRPCH515	XCPCH515	500mg / 15mL	50
XRPCH1M06	XCPCH1M06	1g / 6mL	50
XRPCH1M15	XCPCH1M15	1g / 15mL	50
XRPCH15M25	XCPCH15M25	5g / 25mL	50
XRPCH110M75	XCPCH110M75	10g / 75mL	10

% Organic Loading: 9.70

Application:
Scavenger for amines, alcohols and other nucleophiles.

XtrackT [®] Gravity Flow Columns			
Part Number without disposable tips	Part Number with disposable tips	Amount sorbent / Tube volume	Units per bag
XRDAH203	XCDAH203	200mg / 3mL	50
XRDAH303	XCDAH303	300mg / 3mL	50
XRDAH503	XCDAH503	500mg / 3mL	50
XRDAH206	XCDAH206	200g / 6mL	50
XRDAH506	XCDAH506	500g / 6mL	50
XRDAH013Z	XCDAH013Z	130mg / 10mL	50
XRDAH20Z	XCDAH20Z	200g / 10mL	50
XRDAH150Z	XCDAH150Z	500g / 10mL	50
XRDAH515	XCDAH515	500mg / 15mL	50
XRDAH1M06	XCDAH1M06	1g / 6mL	50
XRDAH1M15	XCDAH1M15	1g / 15mL	50
XRDAH15M25	XCDAH15M25	5g / 25mL	50
XRDAH110M75	XCDAH110M75	10g / 75mL	10